

SPIROVENT® RV2

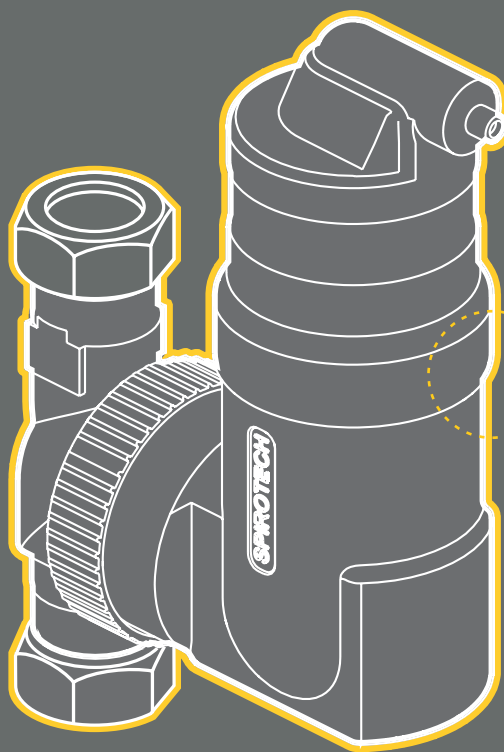
Continuous, effective system water deaeration and fast, easy installation at any angle



Industry-leading 20 year guarantee



Reliable, leak-free venting system



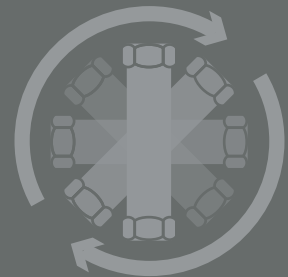
Sturdy brass housing



Reduction of maintenance and malfunction

6%

Energy saving



Quick and easy, universal installation (360°)

SPIROVENT® RV2

A SpiroVent RV2 microbubble deaerator is installed inline at the hottest point in a system, where it continuously removes circulating air and microbubbles from the system fluid. Available in connection sizes 22 and 28 mm.

Today's highly energy-efficient heating and cooling systems offer optimal performance with air-free system water. Automatic air vents and bleeding valves cannot remove microbubbles or circulating air. Venting devices on boilers and other devices will not remove air that is present elsewhere in the system. Furthermore, presence of air is a major cause of dirt formation and related negative effects on efficiency, failure sensitivity and wear and tear.

SAFEGUARD SYSTEMS WITH CONTINUOUS DEAERATION

The SpiroVent RV2 is a fully universal deaerator which works non-stop to effectively remove circulating air and microbubbles from system water. At the heart of the SpiroVent RV2 is the Spirotube separation element, which ensures that microbubbles rise automatically. The specially constructed air chamber provides sufficient volume to absorb pressure fluctuations and prevents valve contamination. This is one of the main causes of leaks. Thanks to the special construction and the solid valve seat, the leak-proof air release valve always closes perfectly. This avoids sputtering and unwanted entry of air from outside the system.

The sturdy brass SpiroVent RV2 is equipped with a swivel connection making it very easy to install. Thanks to the swivel connection, the SpiroVent RV2 is suitable for horizontal, vertical, and diagonal pipes.



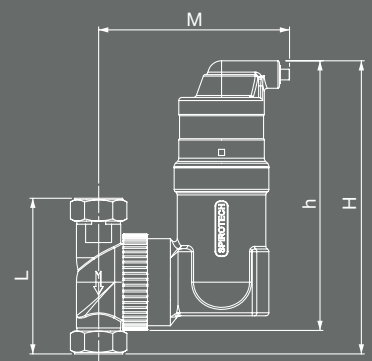
SpiroVent RV2

Studies from KIWA Gastec, BSRIA, TNO and others show SpiroVent deaerators can save 6% on energy consumption.

SPIROVENT® RV2 deaerator, brass, universal connection

Article number	Connection (mm)	H (mm)	h (mm)	M (mm)	L (mm)	Nom. Flow rate (m³/h)	Δp at nom. flow (kPa)	Volume (ltr)	Weight (kg)
UA022W	22	205	177	125	120	1.3	2.1	0.18	1.8
UA028W	28	205	177	125	120	2.0	3.8	0.18	1.8

Max. operating pressure 6 bar Fluid temperature 0 - 110°C Nominal flow velocity 1 m/s



FLUSHCONNECTOR

Can be applied quickly and easily to the base of the SpiroVent RV2. Ideal in combination with the SpiroPlus RapidCleanse magnetic flushing kit. Article number **CTF075**.

