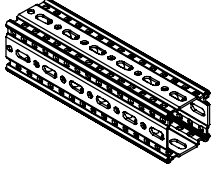


Sikla articles
siFramo 80

TP - F 80
Art. No.:192539



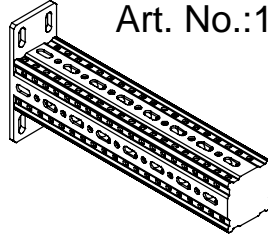
RSK: 382 11 14

ADK F 80
Art. No.:192674



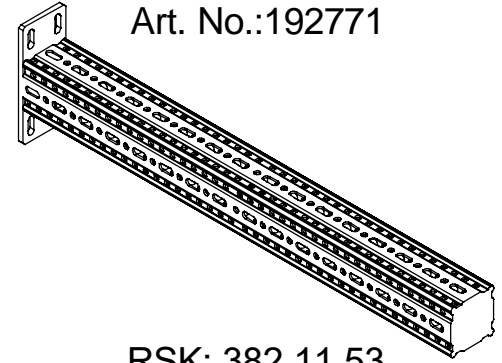
RSK: 382 11 44

AK- F80 - 400
Art. No.:192764

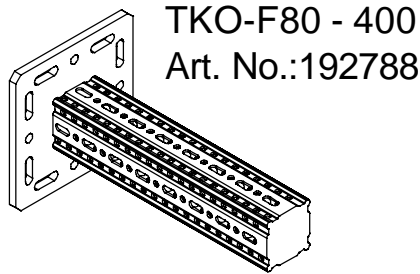


RSK: 382 11 52

AK-F80 - 800
Art. No.:192771

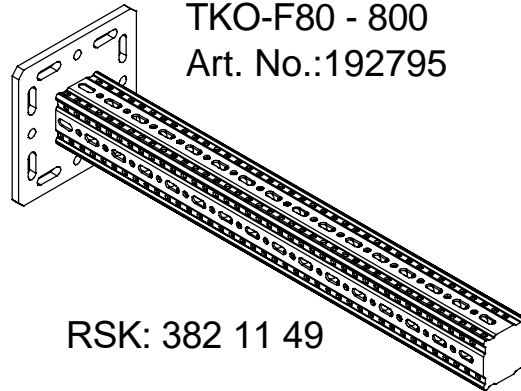


RSK: 382 11 53



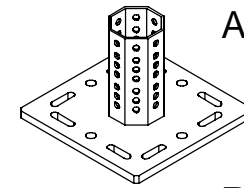
TKO-F80 - 400
Art. No.:192788

RSK: 382 11 48



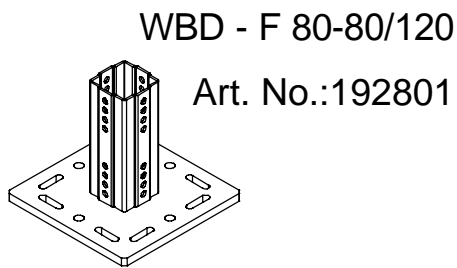
TKO-F80 - 800
Art. No.:192795

RSK: 382 11 49



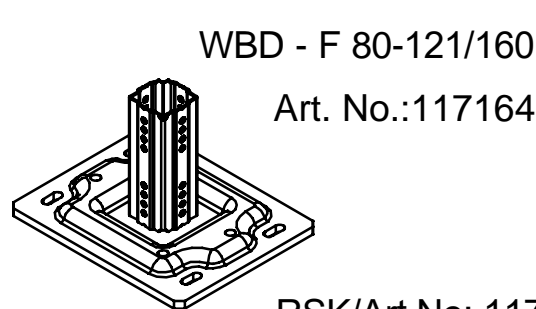
WBD-F80 - T
Art. No.:192849

RSK: 382 11 38



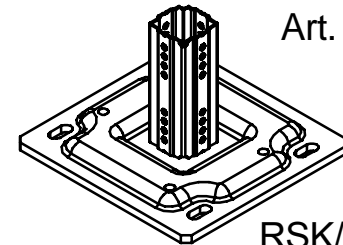
WBD - F 80-80/120
Art. No.:192801

RSK: 382 11 40



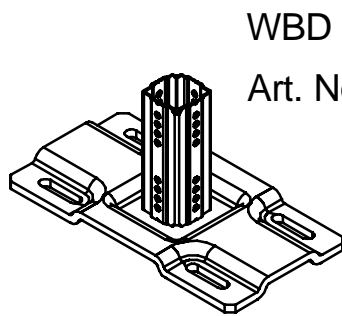
WBD - F 80-121/160
Art. No.:117164

RSK/Art No: 117164



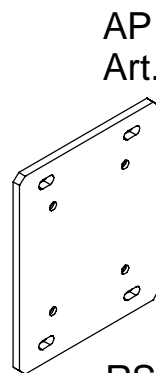
WBD - F 80-161/200
Art. No.:117165

RSK/Art No: 117165



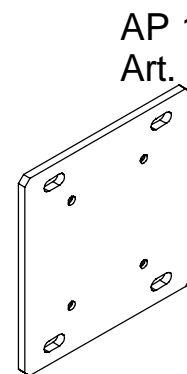
WBD - F 80-201/310
Art. No.:117166

RSK/Art No: 117166



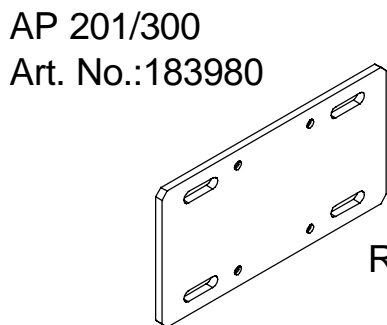
AP 121/160
Art. No.:183953

RSK: 388 80 07



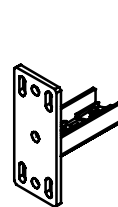
AP 161/200
Art. No.:183962

RSK: 388 80 06



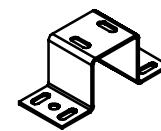
AP 201/300
Art. No.:183980

RSK: 388 80 05



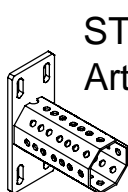
SA F 80-41
Art. No.:192887

RSK: 382 12 11



PS 3
Art. No.:179147

RSK: 382 11 20



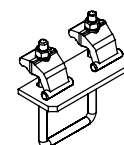
STA-F80
Art. No.:192856

RSK: 382 12 13



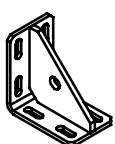
FLS-F
Art. No.:192512

RSK: 382 11 46



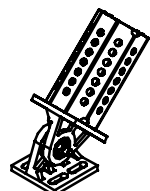
SB-F80 - 40
Art. No.:194010

RSK: 382 11 17



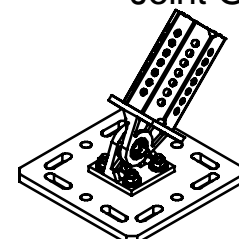
WD F 80 120 /120
Art. No.:117153

RSK: 388 81 05



Joint GE F 80-80 HCP

Art. No.:113835



Joint GE F 80/120-80 HCP

Art. No.:115856