
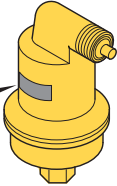
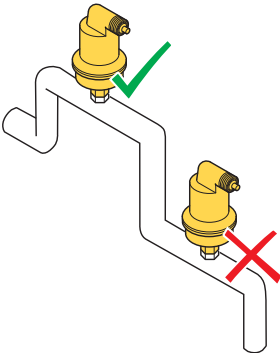
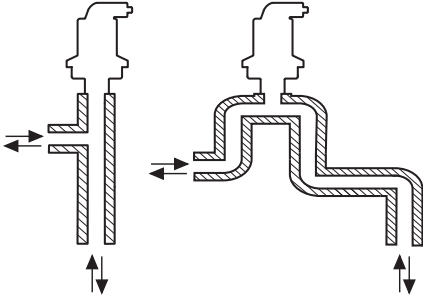



 0- ... bar
 0- ... °C




Acc.PED (97/23/EC§3.3)

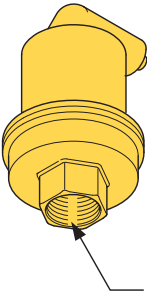




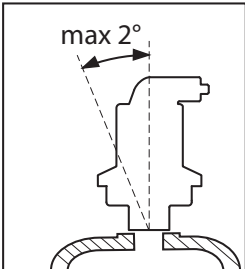
  



< 50% glycol

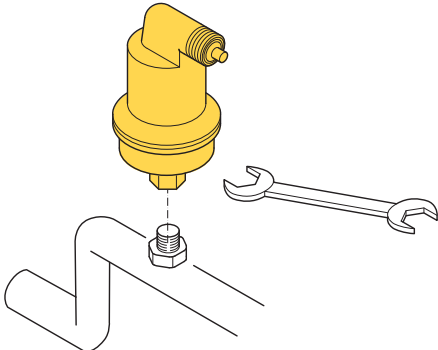






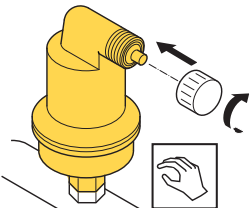
Rp½


 max 2°

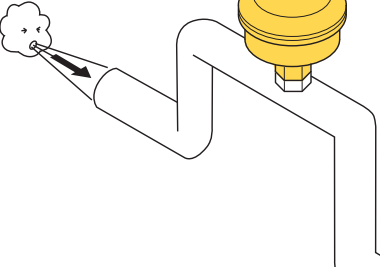
  0 bar




 0 bar 



 Pmax = 1,5 x ... bar



 0 bar

