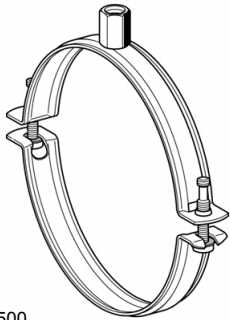


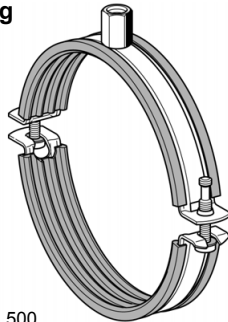
Products

Ducting Clamp PLU 2G



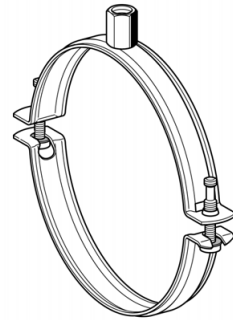
≤ DN 500

Ducting Clamp PLU 2G with lining

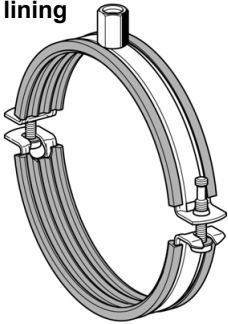


≤ DN 500

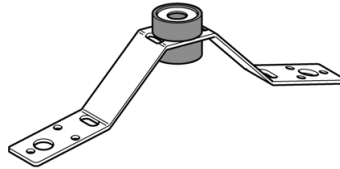
Ducting Clamp PLU TOP 2G



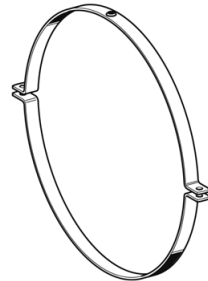
Ducting Clamp PLU TOP 2G with lining



Ducting Strap LUB



Ducting Clamp PLU



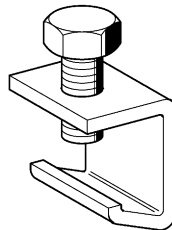
DN 560 - 1250

Ducting Clamp PLU with lining

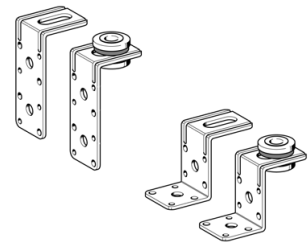


DN 560 - 1250

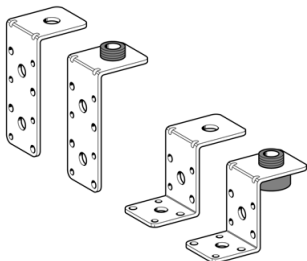
Ducting Bracket LCO



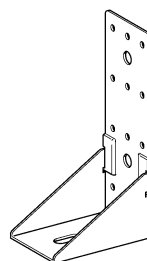
Ducting Angle LUW



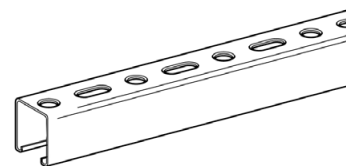
Ducting Angle LUW A



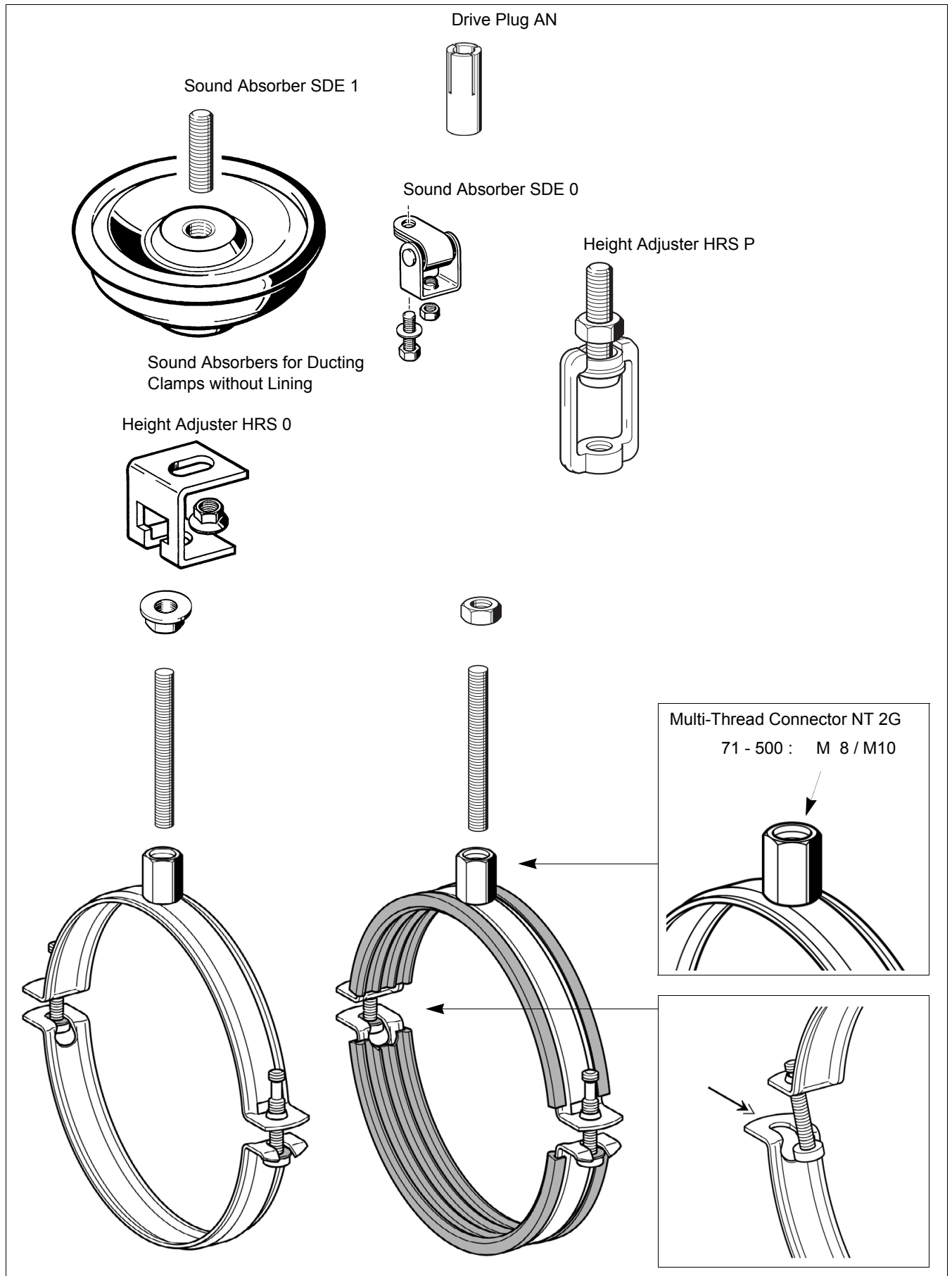
Ducting Angle LUW Stabil



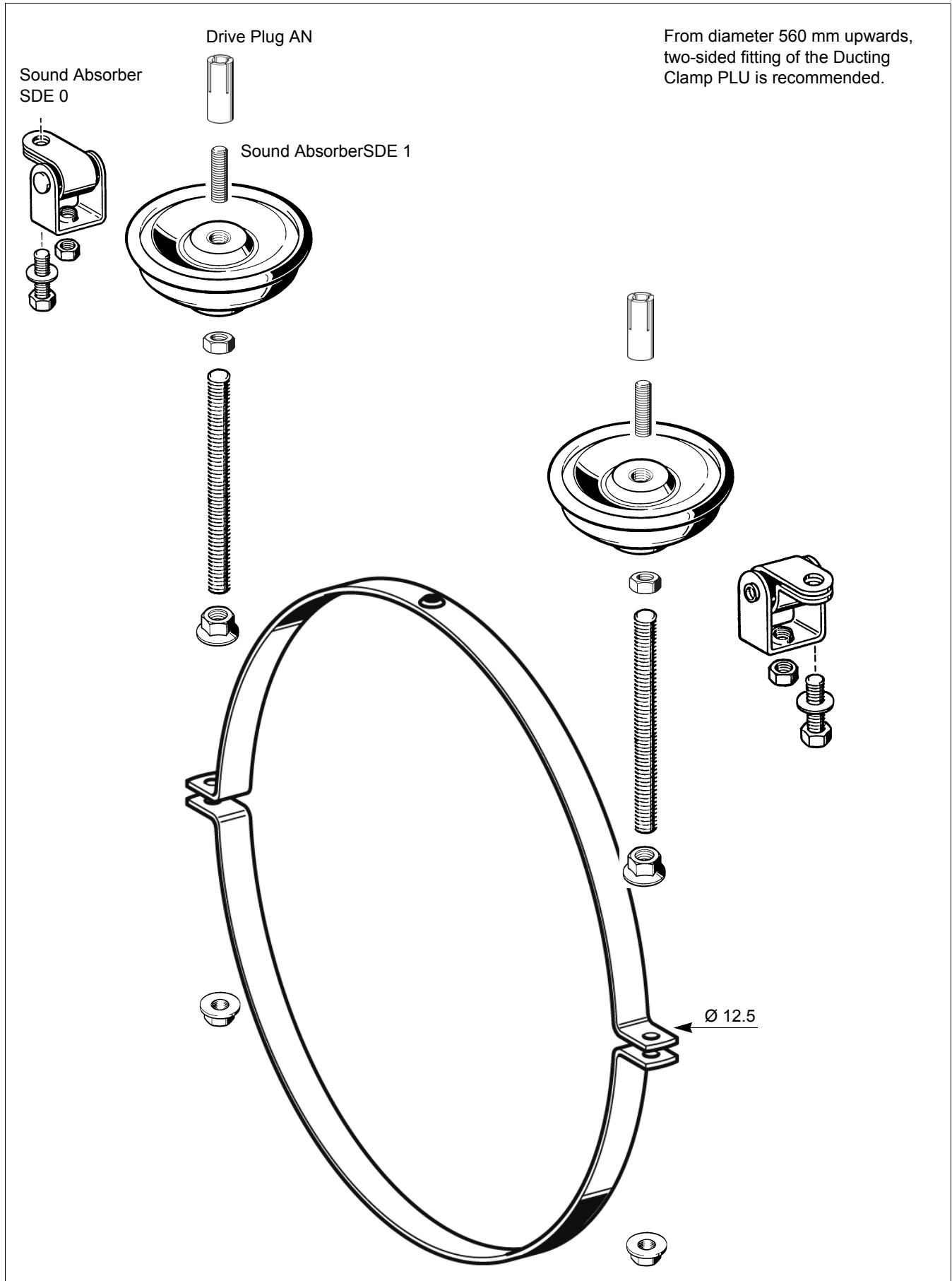
Channel MS 27-1.25



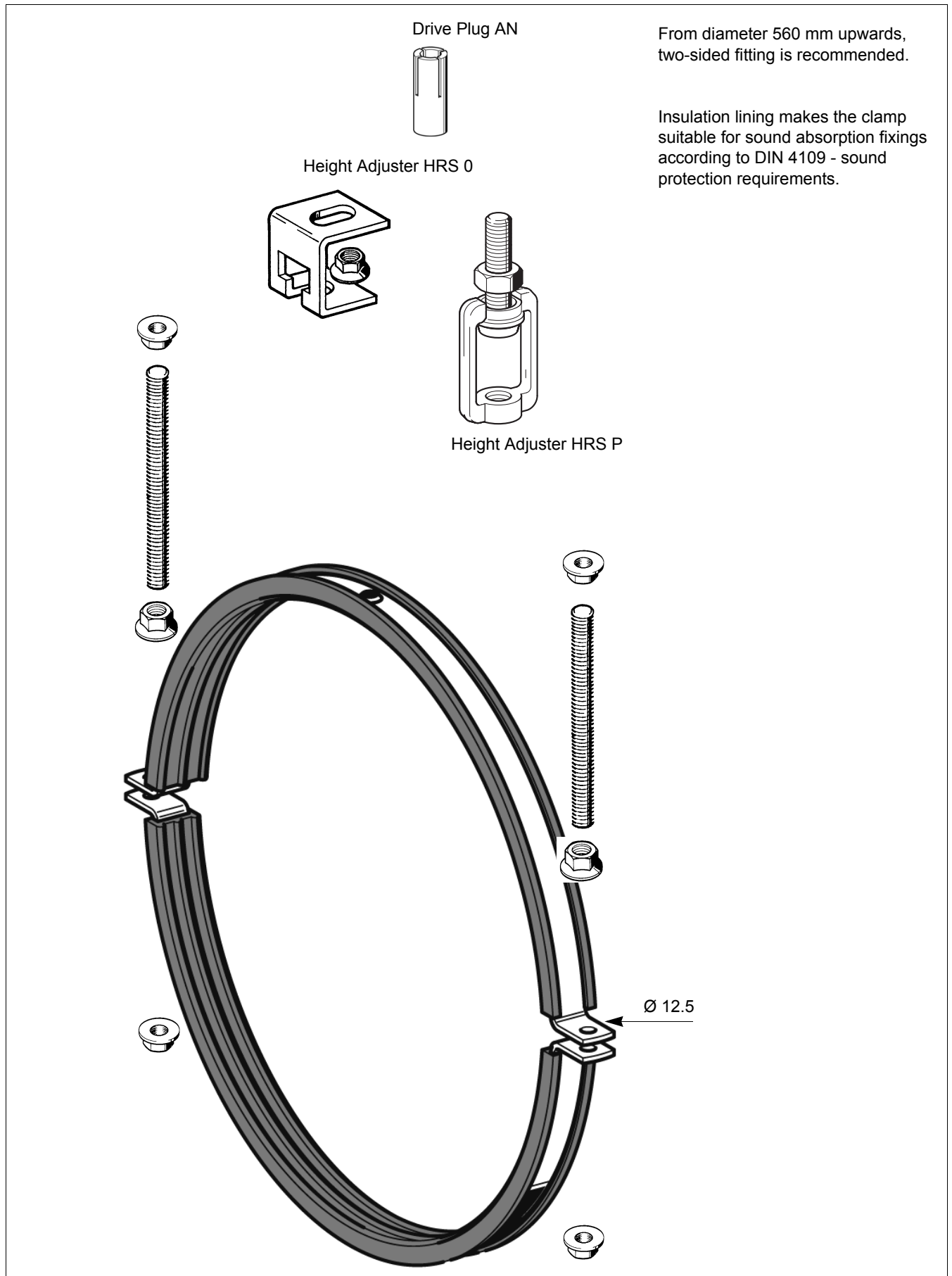
Single Point Mounting for Ducting Clamps PLU Diameter 71 - 500



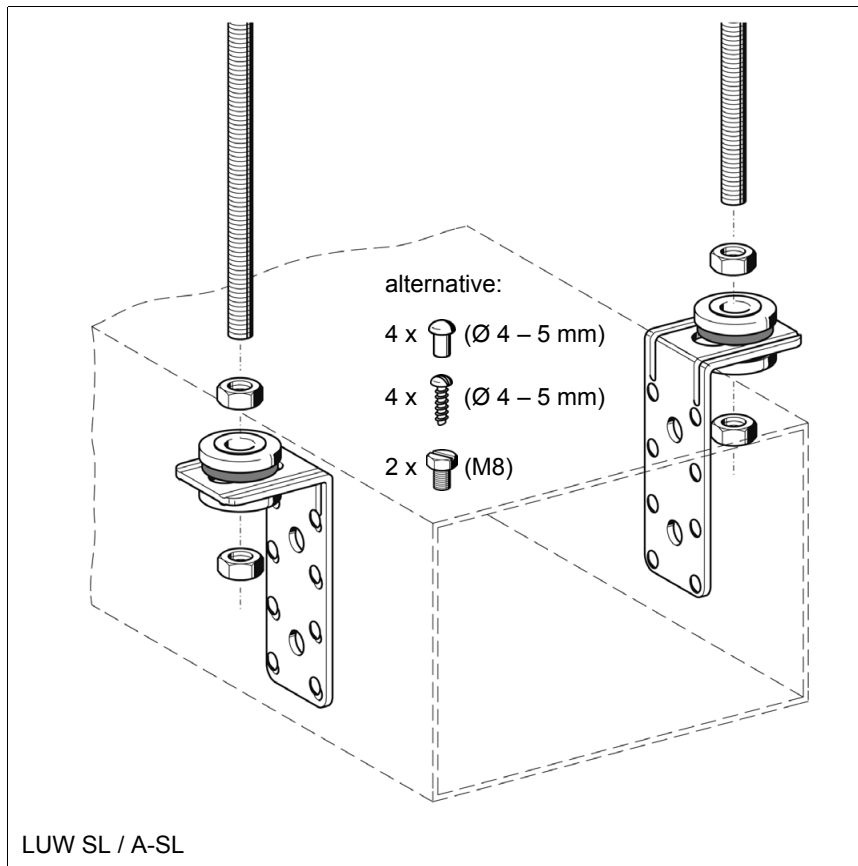
Two point fitting for Ducting Clamps PLU Diameter 560 - 1250 without lining.



Two point fitting for Ducting Clamps PLU of Diameter 560 - 1250 with lining



Ducting Angles LUW for mounting rectangular Ducts



Fixing of the Ducting Angle LUW to the duct by 4 to 8 steel rivets or tapping screws.

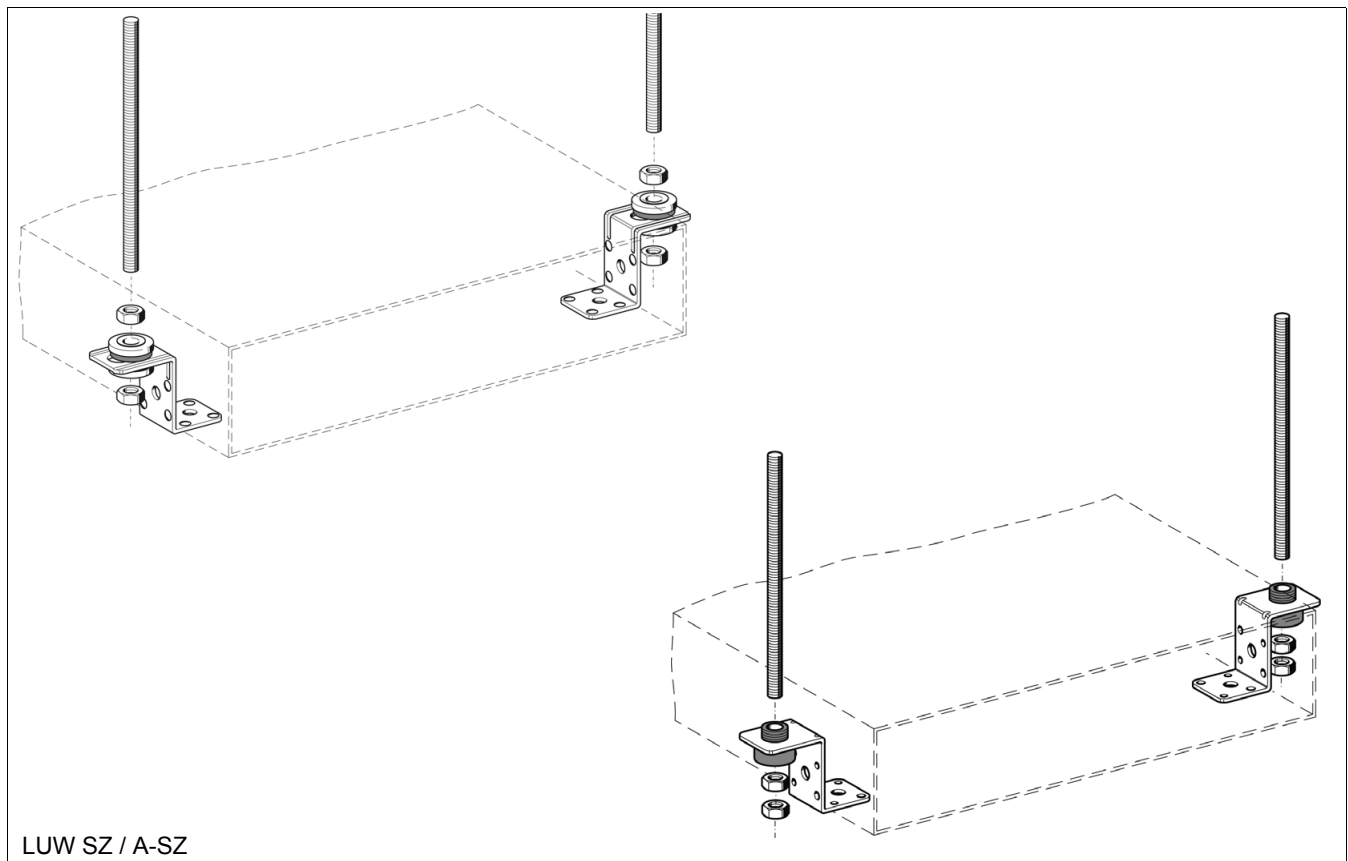
Captive insulation washers are used for sound absorption installations according to DIN 4109 - sound protection requirements.

Ducting Angle LUW SL for soundproof ceiling suspensions of ductwork.

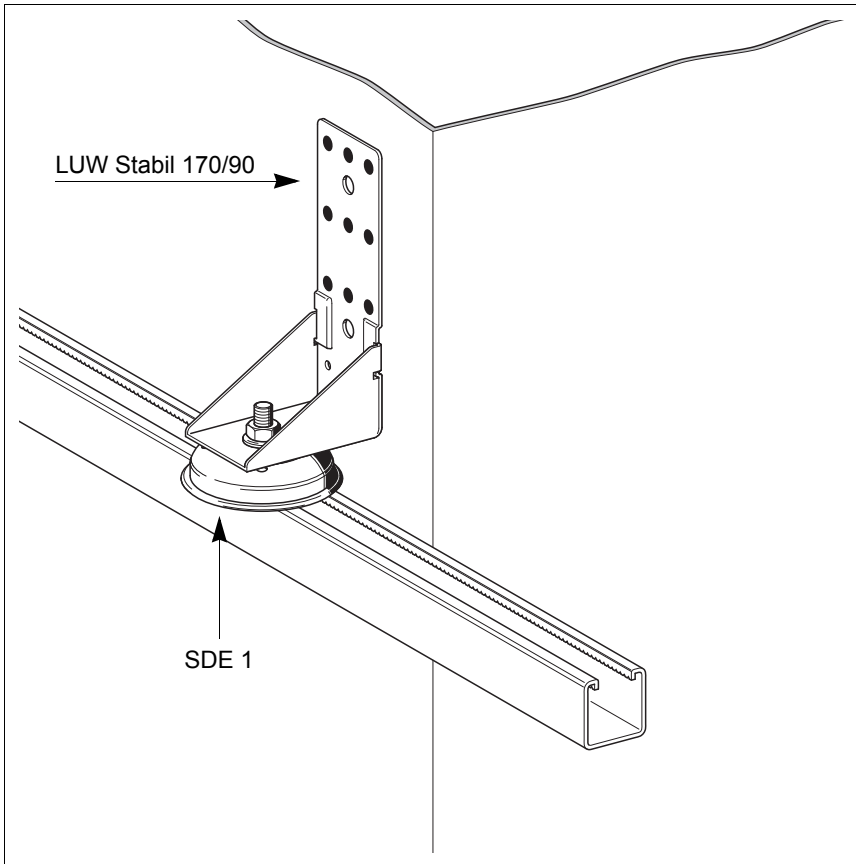
Note:

► In case of vibration of the duct, lock nuts must be used.

Ducting Angle LUW SL for soundproof ceiling suspension of wide, flat ducts.



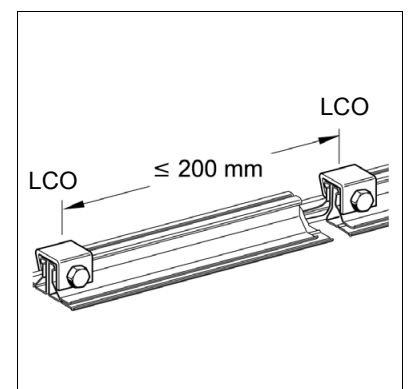
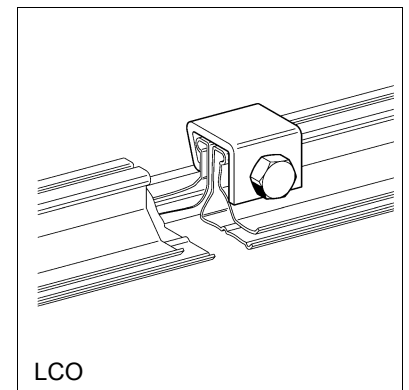
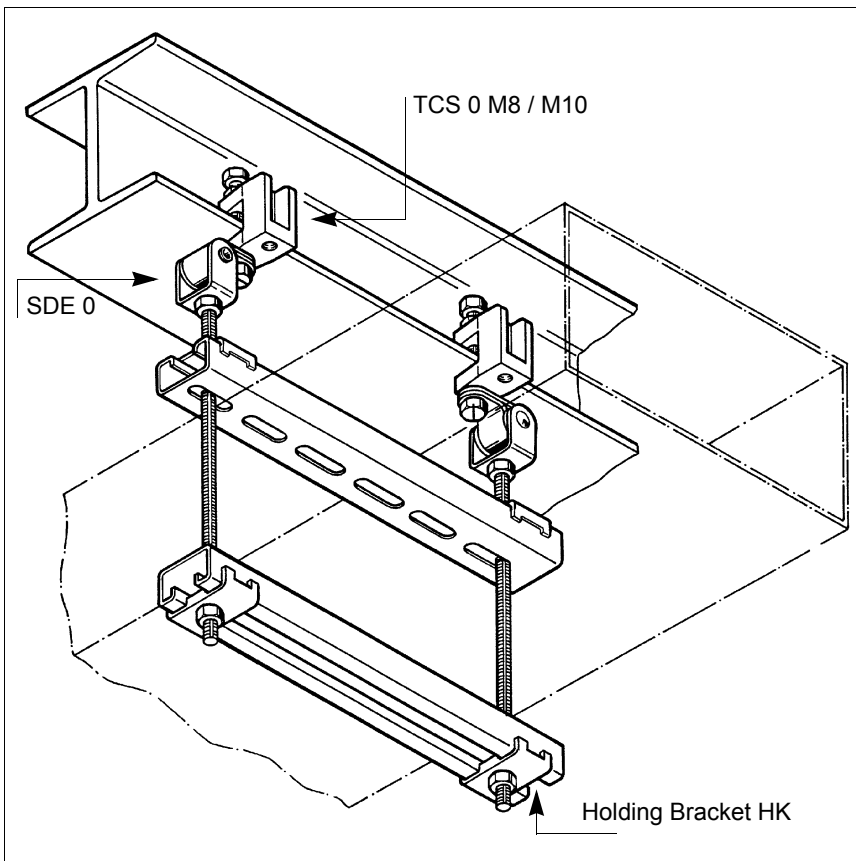
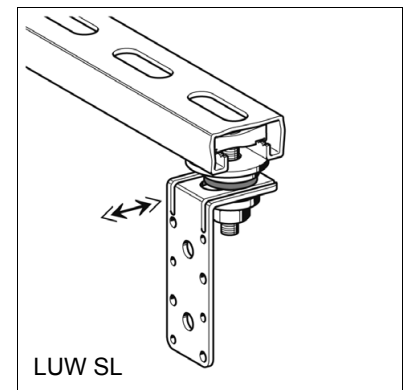
Fixing examples of rectangular Ducts



Fixing vertical ducts on a suitable support (horizontal channel).

Ducting Angle LUW Stabil fixed onto the sound absorption unit SDE 1 is suitable for sound absorption installations according to DIN 4109 - sound protecting requirements.

Installation tolerances are compensated for by the Ducting Angle LUW SL by means of slot adjustment.



Ducting Strap LUB for Spiral Seam Ducts

