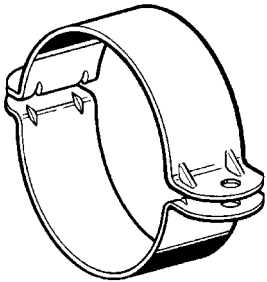


Products	4.0
Products	4.1
Connection options to pipe clamps with Triple-Thread Connector NT 3G (M16, M10, M8)	4.2
Connection options to pipe clamps with Triple-Thread Connector NT 3G (3/8", M12, M10)	4.3
Connection options to pipe clamps with Triple-Thread Connector NT 3G (1/2", M16, M12)	4.4
Connection options to Stabil D Pipe Clamps (from 218mm onwards); Sound Absorption Lining	4.5
Connection options to Stabil D-3G : Suspension	4.6
Ratio S-K for plastic pipes	4.7
Chilled Water Clamp SKS Top-2C	4.8
Chilled Water Clamp LKS	4.9
Installation of Pipe Loops	4.10
Installation Guidelines for the Use of U Bolt RUB and U Clamp RUCI	4.11

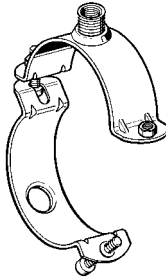


### Products

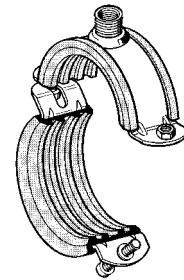
**Stabil D**



**Stabil D-3G**

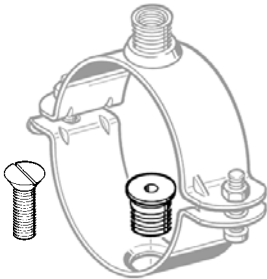


**Stabil D-3G w/ Lining**

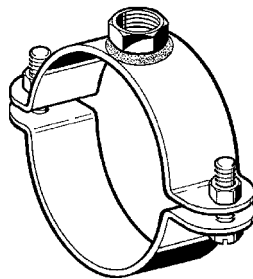


SBR/EPDM ; Silicone

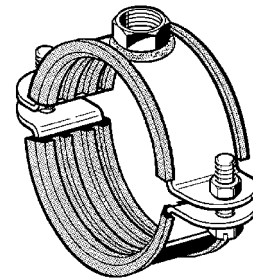
**Multi-Thread Connector NT 3G**



**Stabil D-M16**

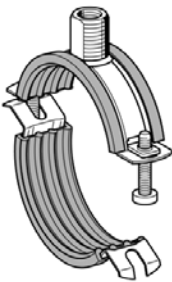


**Stabil D-M16 w/ Lining**



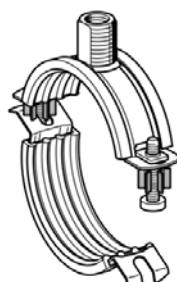
SBR/EPDM ; Silicone

**Ratio S**



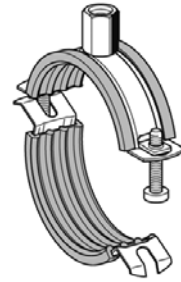
SBR/EPDM

**Ratio S-K**



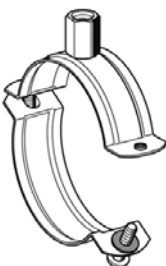
SBR/EPDM

**Ratio LS**

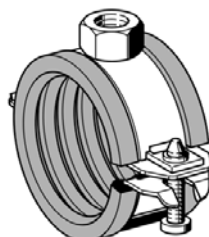


SBR/EPDM ; Silicone

**Duo Clamp SRS**

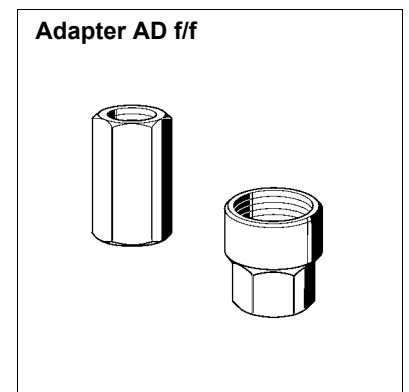
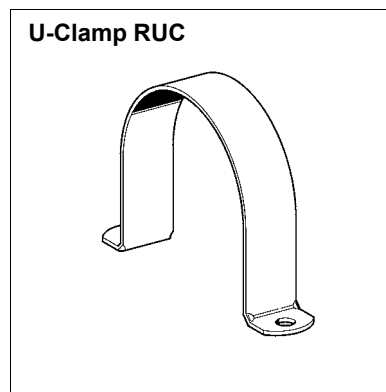
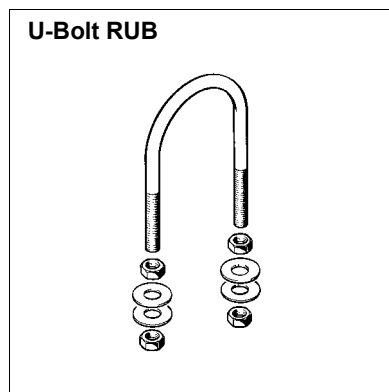
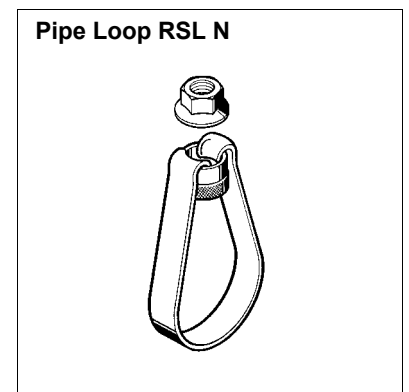
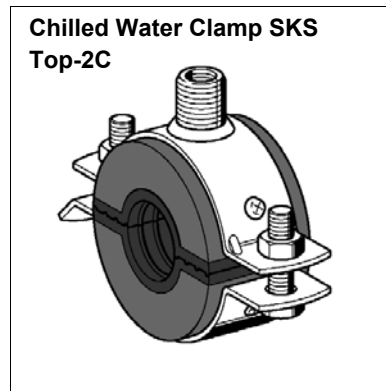
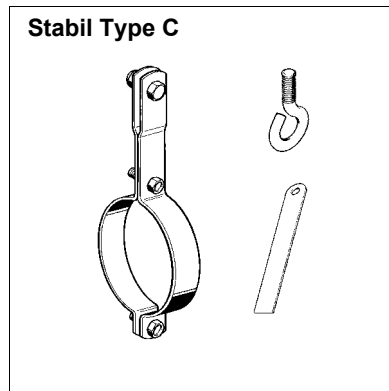


**Ratio S M8**



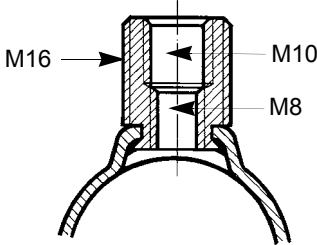
SBR/EPDM

### Products

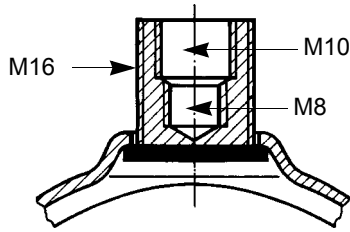


### Connection options to pipe clamps with Triple-Thread Connector NT 3G (M16, M10, M8)

Types for small diameters  
Stabil D-3G up to 1/2" with Lining  
up to 3/4" wo. Lining



Multi-Thread Connector NT 3G for  
all types mentioned below



Each Triple Thread NT 3G has  
1 external and  
2 internal threads,  
offering multiple connection  
options.

Some Connecting Nuts are  
equipped with flats (width across  
flats 13 mm) for easy adjustment of  
the clamp using a spanner.

Sikla Threaded Tube G 1/2  
with Adapter 1/2" / M16

Threaded Rod M16  
with Adapter M16 / M16

Threaded Rod M12  
with Adapter M16 / M12

Threaded Rod  
M10 or M8

Bolt Screw  
M10 or M8

Bolt Screw  
MMS-ST M10

Sikla Threaded Tube G 3/4  
with Adapter 3/4" / M16

Sikla Threaded Tube G 1"  
with Adapter 1" / M16

**Stabil D-3G (up to 2")**  
size range 15 - 72 mm

**Stabil D-3G; w/ Lining; w/ Silicone Lining (up to 2")**  
size range 14 - 65 mm

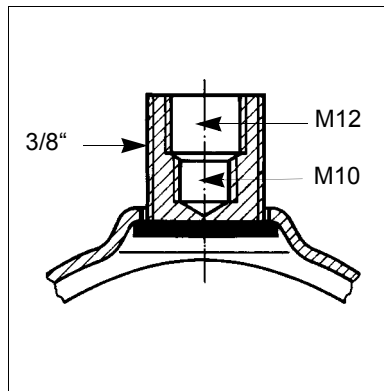
**Ratio S (up to 6")**  
size range 38 - 170 mm  
2G (M8 / M10) for sizes 12 - 35 mm

**Ratio S-K**  
types 40, ... , 160 mm  
2G (M8 / M10) for sizes 16, ... , 32 mm

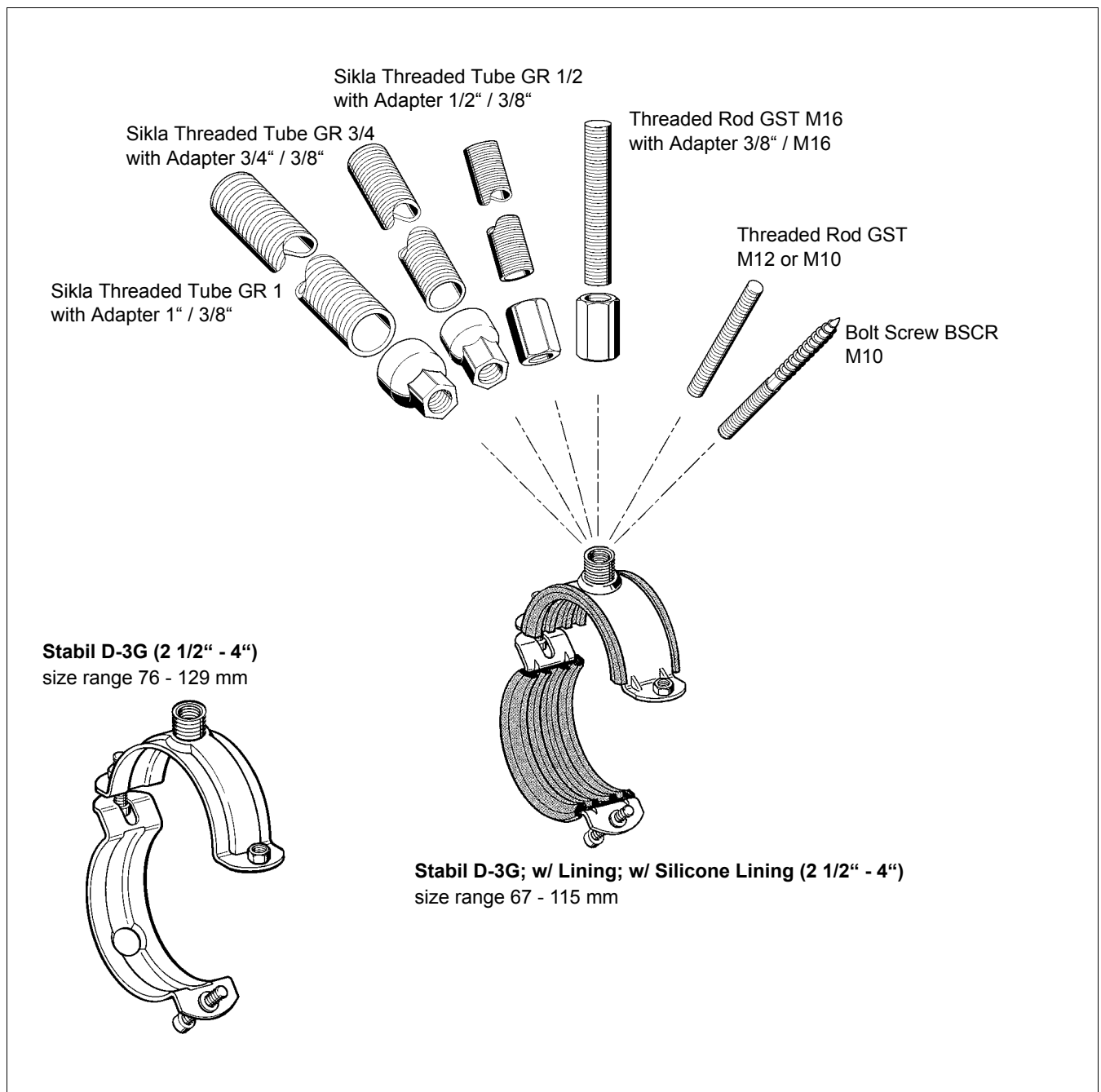
**Chilled Water Clamp SKS Top-2C**  
types 17, ... , 89mm

**Bonded rubber lining**

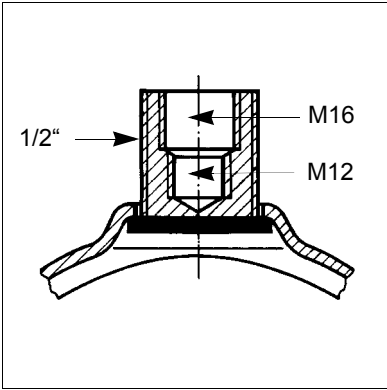
### Connection options to pipe clamps with Triple-Thread Connector NT 3G (3/8", M12, M10)



The Multi-Thread Connector NT 3G is form closed and welded from the inside reducing the risks caused by vibration.



Connection options to pipe clamps with Triple-Thread Connector NT 3G (1/2", M16, M12)



In public areas and industrial plants, especially for bigger pipe diameters the Stabil series should be used.

Sikla Threaded Tube GR 1/2  
with Adapter 1/2" / 1/2"

Sikla Threaded Tube GR 3/4  
with Adapter 3/4" / 1/2"

Threaded Rod GST M16  
with Adapter 1/2" / M16

Sikla Threaded Tube GR 1  
with Adapter 1" / 1/2"

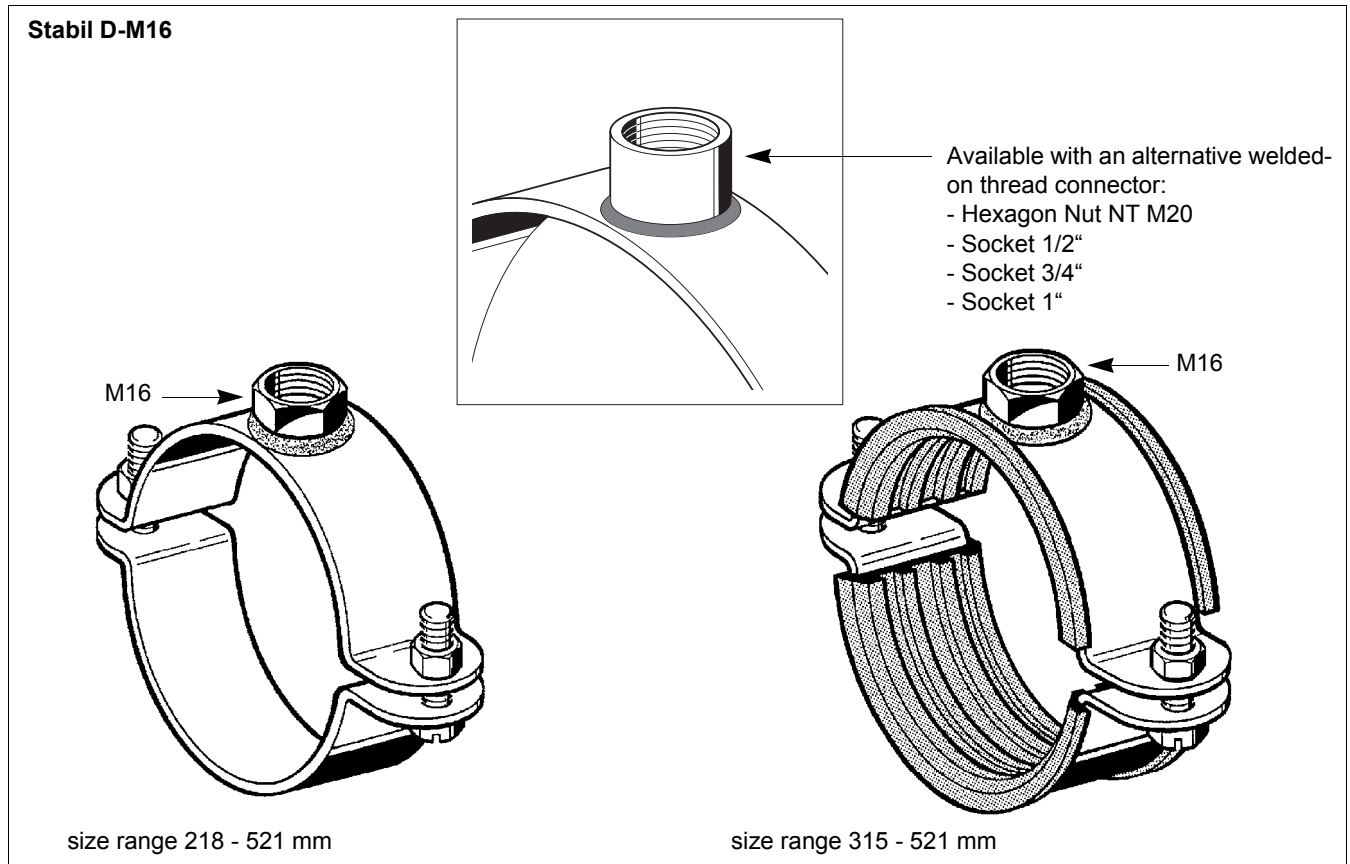
Threaded Rod GST M16  
M16 or M12

**Stabil D-3G (5" - 10")**  
size range 133 - 316 mm

**Stabil D-3G; w/ Lining; w/ Silicone Lining**  
(5" - 10")  
size range 124 - 318 mm

A modified version of the Stabil D-3G is the basis of the **Chilled Water Clamp SKS Top-2C**  
types 219, ... , 324 mm

### Connection options to Stabil D Pipe Clamps (from 218mm onwards); Sound Absorption Lining



### Sound Absorption Lining for Pipe Clamps

Material	Colour	Temperature range [°C]			Suitable for pipes made from		
					Steel	VA	Plastic
SBR / EPDM	black	-50	+110	●	●	○ <sup>1)</sup>	
SBR / EPDM	beige	-50	+110	●	●	●	
Silicone <sup>2) 3)</sup>	red	-60	+200	●	●	●	
Ceramic Fibre Tape, self-adhesive	white					○	

<sup>1)</sup> not suitable for PVC / suitable for PE, PP, PB.

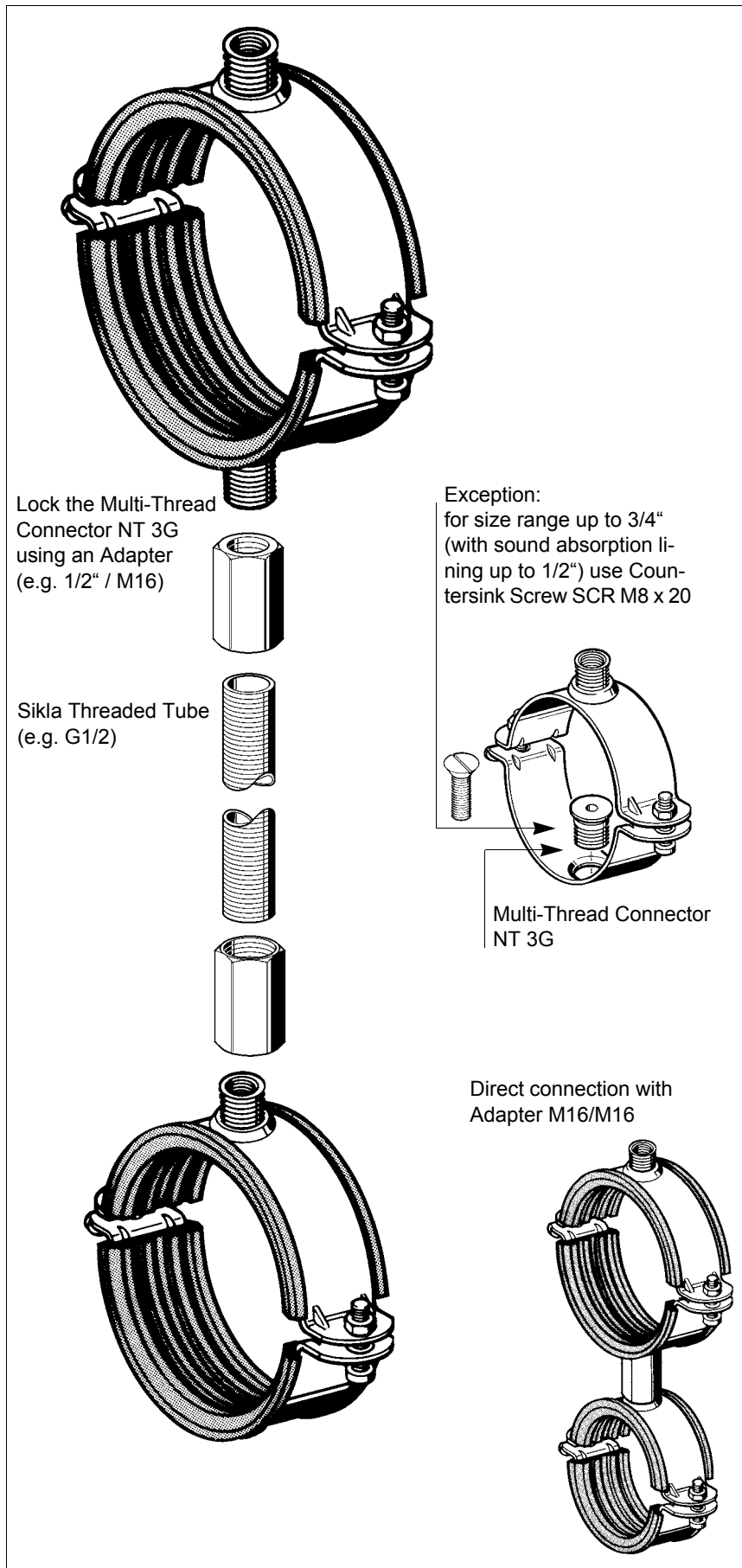
<sup>2)</sup> not permitted in certain areas (e.g. paint shops in the automotive industry)

<sup>3)</sup> approved by VdS.

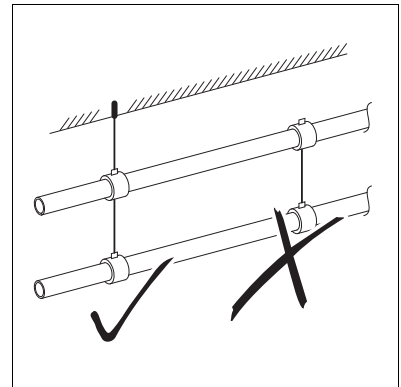
Note:  
DIN 4102 Sikla Sound Absorption Lining SBR/EPDM and Silicone belongs to fire classification B2.

- suitable
- partially suitable
- not suitable

### Connection options to Stabil D-3G : Suspension



**Extract from DIN 1988, Part 2:**  
"Pipes shouldn't be attached to other pipes and must not be used as beam for other pipes."



✓ **correct:** a second pipe may be suspended to a pipe clamp which has been fixed to the building structure.

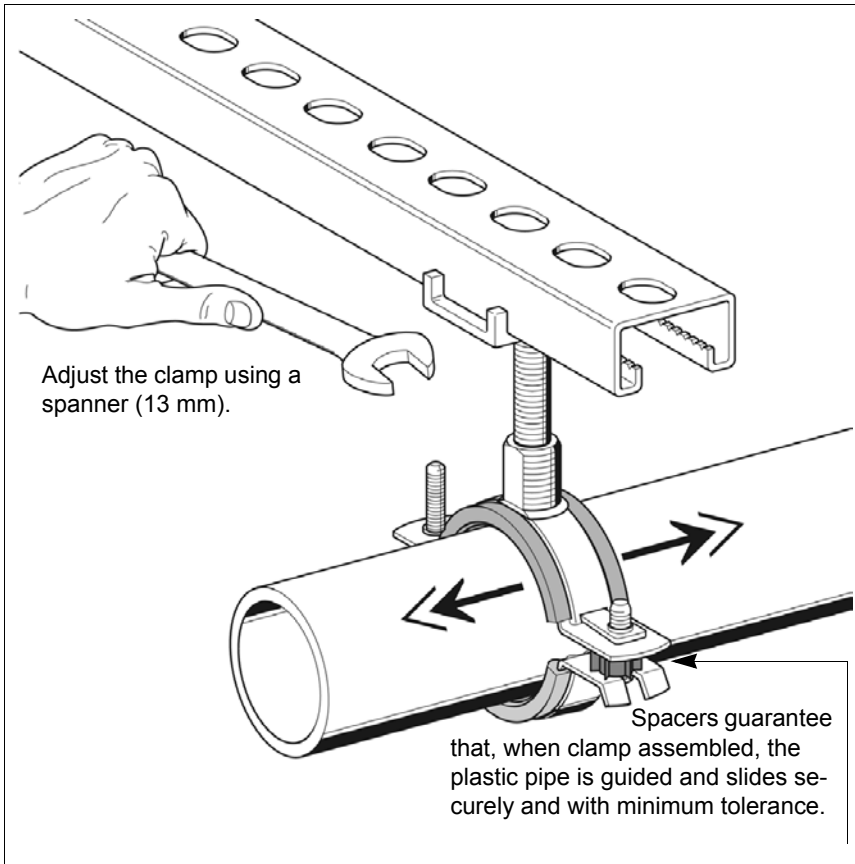
✗ **wrong:** a pipe should not be suspended from another pipe.

**Caution!**

► *This arrangement is only permissible when the pipes connected do not expand in alternate directions.*



### Ratio S-K for plastic pipes



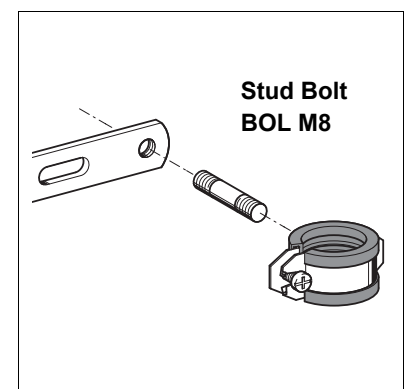
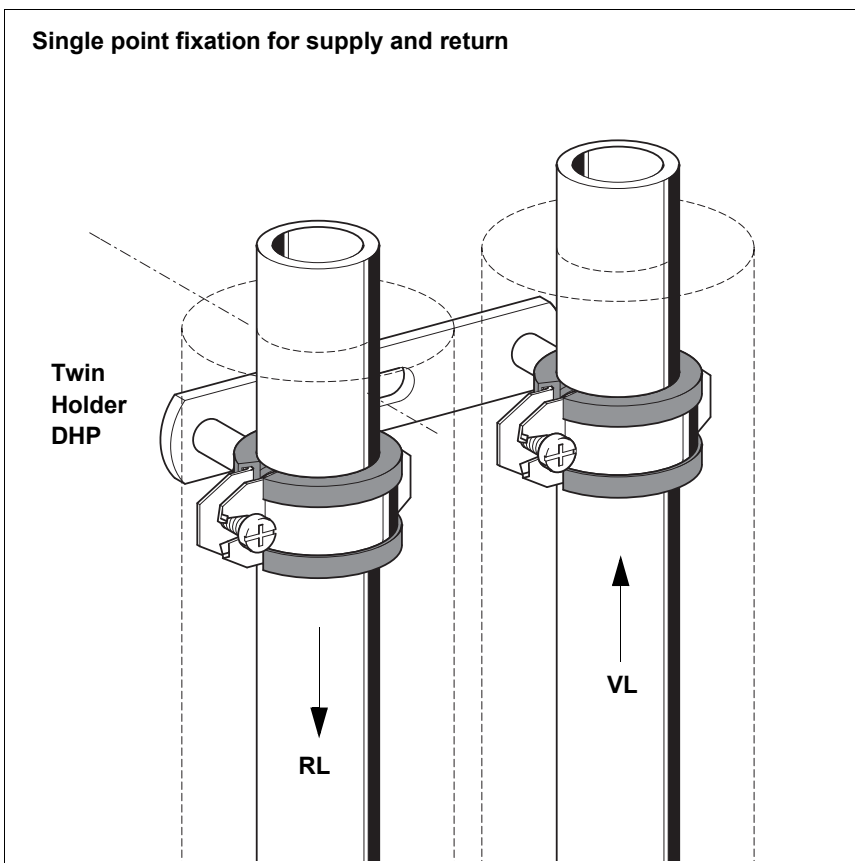
Two-piece Pipe Clamp with spacers and sound absorption lining for smooth, noiseless sliding of plastic pipes.

**Note:**

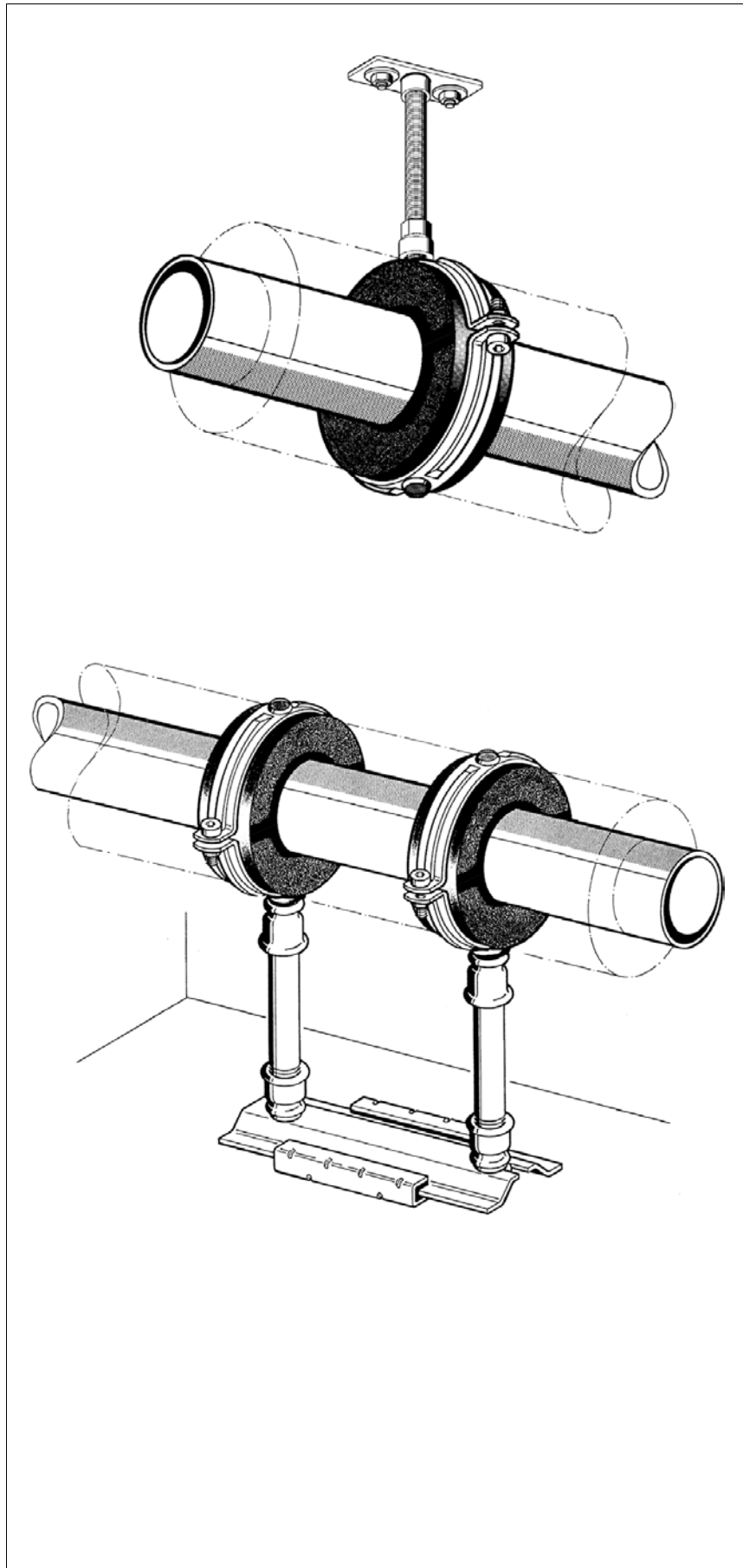
- In order to cater for frictional forces, Ratio S-K clamps have to be fixed in short distance to the building structure or to a solid base.

The form-fitted rubber profile is stuck in the clamp. This alleviates the installation of pipes and secures the sliding.

The compound of the rubber, prevents diffusion of plasticisers into the plastic pipe.



### Chilled Water Clamp SKS Top-2C



Used for chilled water pipes and refrigeration pipework installations. In these cases, the installation of metal pipe clamps directly to the pipe walls is not permitted.

- ◆ The insulation of the chilled water clamp (two-part foam technique) prevents cold bridging with the pipe wall and thereby also avoids corrosion.
- ◆ The insulation insert made up of PUR (polyurethane foam sp. gr. 250kg/m<sup>3</sup>) is securely bonded to the clamp
- ◆ No sealant is required. The surface of the chilled water remains clean and permits a diffusion-resistant insulation against the pipe wall.
- ◆ Secure adhesion by means of the insulation insert lining (synthetic rubber) according to test of FIW Munich.
- ◆ PUR foam ensure a reliable compensation of pipe dia. tolerances and a first class sound absorption with an insert loss up to 25dB(A).

**Note:**

- ▶ *Pipes containing chilled fluids contract when operational, therefore movement must be allowed for in the pipe support.*

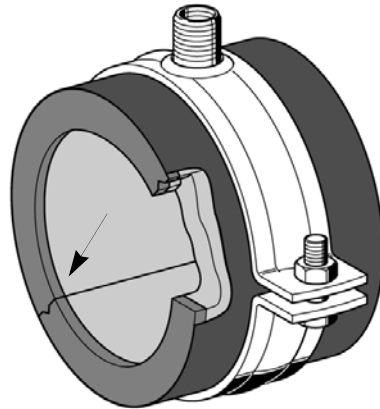
### Chilled Water Clamp LKS

#### Configuration and characteristics

Insulation element consists of 2 form-joined layers of PUR coated with a black PVC foil, complete with pipe clamp.  
The insulation insert is already bonded into the pipe clamp thus removing the need to assemble on site.

At both open end-faces, polyurethane foam for optimal adhesion with adjoining insulation to pipes.  
e.g. PE-foam or foamglas for common **insulation thicknesses:**

LKS H for 13 mm  
LKS M for 19 mm  
LKS T for 32 mm.



A low-priced alternative made of PUR rigid foam (specific gravity 120 kg/m<sup>3</sup>) has the best insulating properties by low thermal conductivity.

#### Application

Suitable for secure prevention of condensation water at the pipe support.

An optimal diffusion-tight connection with the pipe insulation is easily and safely achieved by fixing usual insulation materials to the clamp faces using adhesive.

#### Note:

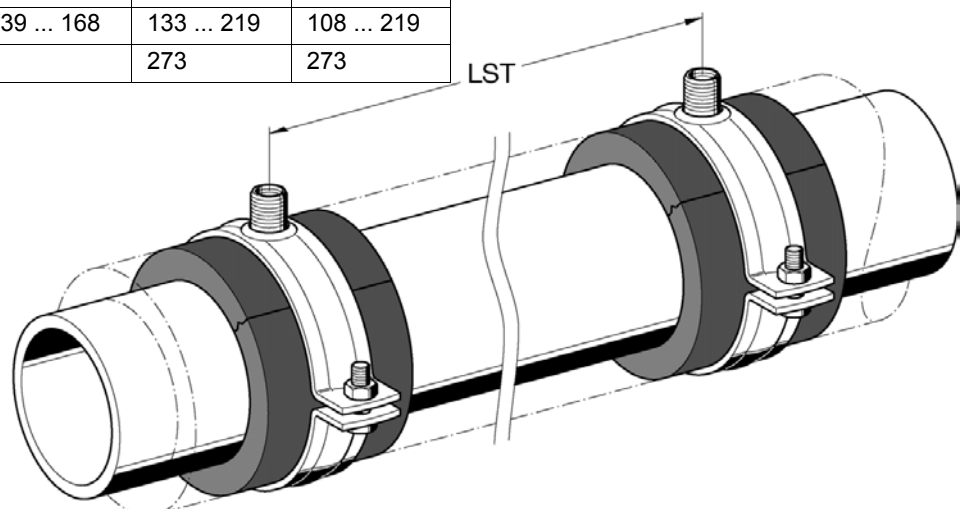
- PUR elements with low density require careful storage, handling and installation.

#### Connection and pipe span

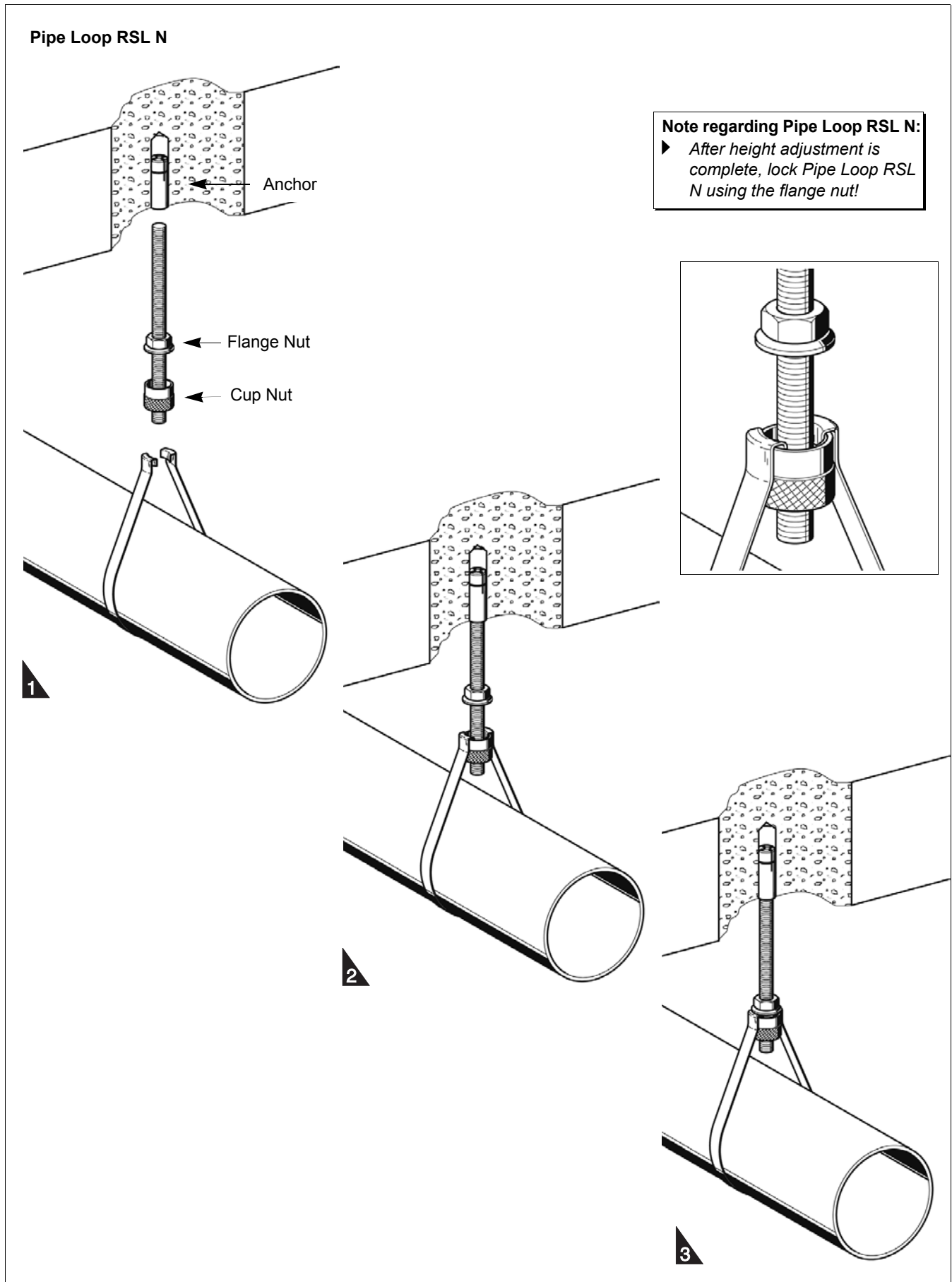
On-site connection with Adapter AD and Threaded Tube GR, in case of pipe expansion > 3 mm Slide Element GLE has to be used.

The effective span as listed in DIN 1988 may be applied for LKS H (all types) and LKS M (15 ... 168), from LKS M 219 up to max. 5 m.

Multi-Thread Connector	LKS H	LKS M	LKS T
M8 / M10	15 ... 133	15 ... 114	15 ... 89
M12 / M16 / 1/2"	139 ... 168	133 ... 219	108 ... 219
M16		273	273

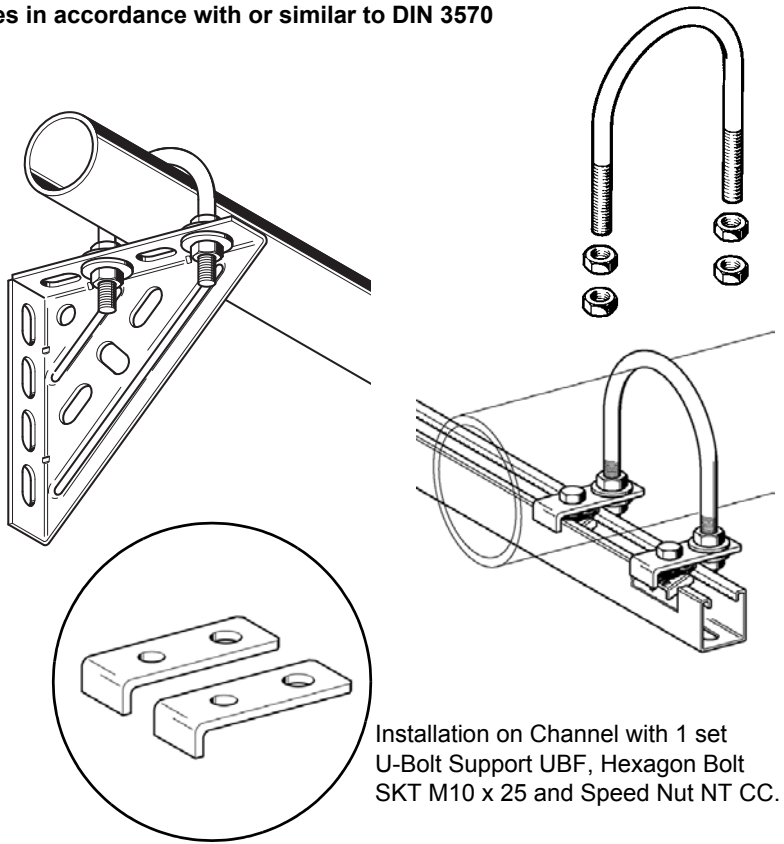


### Installation of Pipe Loops



### Installation Guidelines for the Use of U Bolt RUB and U Clamp RUCI

Types in accordance with or similar to DIN 3570



Installation on Channel with 1 set U-Bolt Support UBF, Hexagon Bolt SKT M10 x 25 and Speed Nut NT CC.

Scope of delivery always includes 4 nuts.

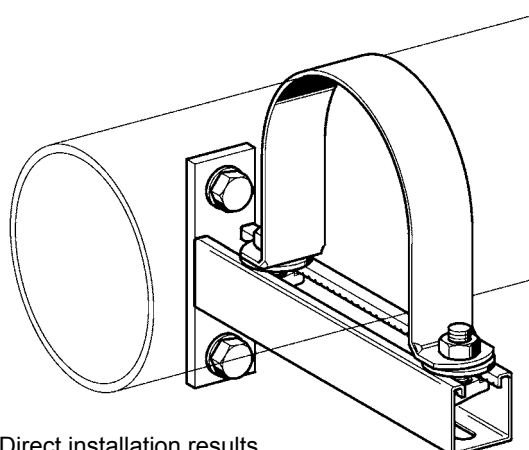
U bolts should be installed vertically. Using them horizontally can result in high bending stresses on the clamp.

**Note:**

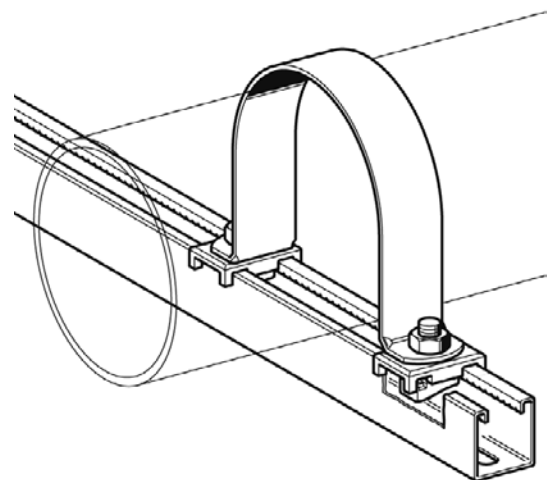
- *U Bolts should preferably be used as Guided Supports.*



### U Clamp RUC



Direct installation results in a fixed bearing.



Installation on 2 Holding Brackets HK 41 provides the necessary clearance for a Guided Support.